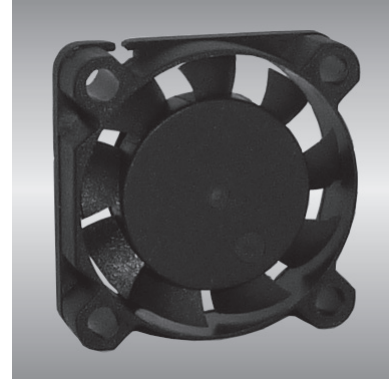


25 AG series

x25x07mm



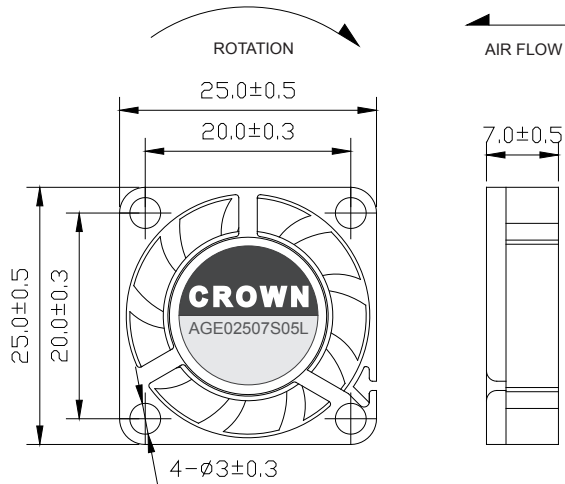
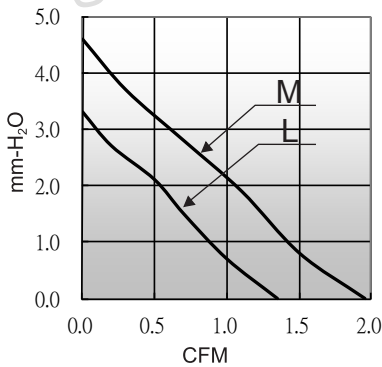
General Specifications

- Motor : 4 Poles brushless DC motor
- Frame & Impeller : Plastic(UL 94V-0)
- Storage temperature : -40° to +75°
- Operating temperature : -10° to +70°

Major Characteristic Parameters

Model	*Bearing System	Rated Voltage	Operating Voltage Range	Rated Current	Rated Speed	Maximum Air Flow		Maximum Static Pressure		Sound Level	Weight
Part NO.	B / S / F	V	V	A	RPM	m ³ /min	CFM	mm-H ₂ O	In-H ₂ O	dBA	g
AGE02507_05L	B / S	5	4.5~5.5	0.12	10000	0.04	1.35	3.3	0.13	20.0	7
AGE02507_05M	B / S	5	4.5~5.5	0.13	13000	0.05	1.95	4.6	0.18	22.0	7

*Bearing system B: Two Ball Bearing F: Fluid Bearing S: Sleeve Bearing



unit:mm